

## MOBOTIX p25 Indoor Camera



*p25: In-ceiling 6MP IP camera Ø 105 mm  
Lens Options 180° hemispheric to 160 mm (35 mm eq.)*

### 6MP Camera p25 For Ceiling Mounting:



**Standalone** Full functionality @ zero bandwidth



**Video Sensor** MxActivitySensor reducing false alarms



**Event Recording** Onboard (SD card) & direct to NAS



**MxAnalytics** Heat map & people counting



**Alarm Notification** E-mail, FTP & VoIP (SIP)



**Communication** Two-way audio option



**Power** Standard PoE below 4W



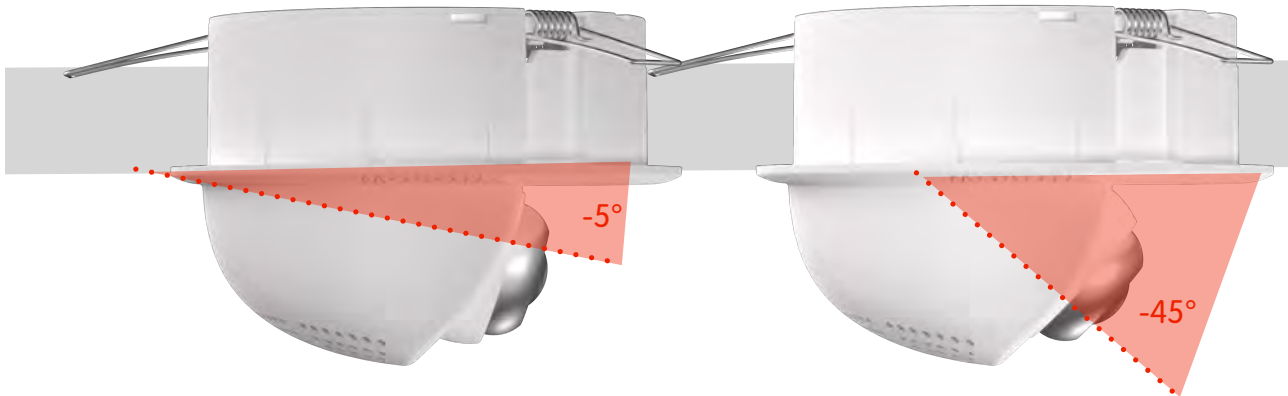
*Night image 0.7 lux @ 1/60*

**Technical specifications subject to change without notice.** For more information on the p25 and on the entire range of MOBOTIX products, such as prices, manuals, video management software for computers and iOS devices, etc., please go to [www.mobotix.com](http://www.mobotix.com) > **Products**. Or contact us by phone (+49 06302 9816-103) or email ([sales@mobotix.com](mailto:sales@mobotix.com)).

## p25 Indoor Camera With 6MP Moonlight Sensor: Technical Data

Model versions	Body without lens (day/night)* • Fisheye lens (day/night)* • ultra-wide angle lens (day/night)* • wide angle lens (day) • standard lens (day) • telephoto lens (day) • distance telephoto lens (day)  * optional with integrated audio package
Operating conditions	Ambient temperature 0°C to 40°C (32°F to 104°F), protection class IP20 (protected from foreign bodies with diameters 12.5 mm or larger, not waterproof)
Intended use	Indoors • For installation in suspended ceilings • Not for use in areas at risk of explosions
Diameter	120 mm (visible), 170 mm (with folded out spring clips)
Depth, weight (without ETH cable)	89 mm (of which 45 mm visible below ceiling), approximately 270 g (incl. lens)
Installation diameter	105 mm
Minimum installation depth	55 mm (owing to spring clips)
Clamping range	1 mm to 26 mm (possible thickness of mounting surface/ceiling panel)
Image sensor	1/1.8" CMOS sensor, 6MP (3072 x 2048), progressive scan
Lens tilting angle	-5° to -45° (manually adjustable)
Minimum light sensitivity	Color sensor: 0.1 lux at 1/60 sec; 0.005 lux at 1 sec Black/white sensor: 0.02 lux at 1/60 sec; 0.001 lux at 1 sec
Maximum image size	6MP (3072 x 2048 pixels)
Maximum frame rates MxPEG (fps)	30@HD (1280 x 720), 30@MEGA, 15@QXGA, 10@5MP, 8@6MP
Maximum frame rates MJPEG (fps)	15@HD (1280 x 720), 12@MEGA, 6@QXGA, 4@5MP, 4@6MP
Controls	Two status LEDs
Audio	p25 version with audio package (incl. microphone and speaker) or via ExtIO
Image processing	MxLEO, backlight compensation, automatic white balance, image distortion correction, panorama correction
Image formats	Freely configurable format 4:3/8:3/16:9 • User-defined formats (image cropping, e.g., 5MP, QXGA, full HD, MEGA)
Multi-streaming	Yes
PTZ	Digital pan/tilt/zoom, continuous 8x zoom
Intelligent video analysis	MxActivitySensor, video motion analysis, MxAnalytics (Heat maps and counting corridor reports)
DVR	Via integrated microSD card • Externally on USB device • Externally on NAS (max. of 4 TB) • Separate live image feed and full image recording • MxFFS with archiving function • Pre- and post-alarm images • Automatic DVR surveillance including error notification
Alarm/event management	MxActivitySensor • Video motion analysis • Temperature sensor • Shock Detector • Illumination sensor • Further sensors/IO via additional devices • Alarm notification via e-mail, FTP, VoIP
Video telephone	SIP client; intercom is possible via speaker of MX-ExtIO
Security	User/group management, SSL connection, IP address filter, IEEE 802.1x, intrusion detection, digital image signature, tamper detection

p25 Indoor Camera With 6MP Moonlight Sensor: Technical Data	
Protocols	IPv4, IPv6, HTTP, HTTPS, FTP, RTP, UDP, TCP, SNMP, SMTP, DHCP (client or server), NTP (client or server)
Interfaces	Ethernet (MxRJ45), MiniUSB • With optional MX-Bus-IO-Module two additional signal outputs
Power supply	PoE (IEEE 802.3af, class 2), typical power consumption of 4 W
Certifications	<b>EMV:</b> EN 55022:2010 • EN 55024:2010 • EN 61000-6-1:2007 • EN 61000-6-2:2005) • EN 61000-6-3:2007+A1:2011 • EN 61000-6-4:2007+A1:2011 <b>Further certifications:</b> AS/ NZS CISPR22:2009+A1:2010 • CFR47 FCC part15B) • EN 55121-4:2006 • IEC 60950-1 / EN 60950-1 (NRTL)
(Integrated) software functions	Digital zoom • Programmable exposure windows • Snapshot recording • Full feature recording (MxFFS archive, continuous recording, full image recording including sound) • Time and event control • Time tables including holidays • Web functions • Logo generator • Flexible event logic • Master/slave arming • Multiple time-controlled privacy zones • Remote alarm notification • Programming interface/HTTP API
MOBOTIX Video Management Software (VMS) free of charge	MxManagementCenter MxMC, MxControlCenter MxCC, MxEasy, MOBOTIX App
Accessories	- MX-Bus-IO-Module - On-wall mounting set (available soon) - MX-ExtIO (for optional audio)





# p25 – Technical Specifications

Security-Vision-Systems **MOBOTIX**

Camera Variants	p25 Day	p25 Night
<b>Lenses, Sensors</b>		
Fisheye Lens MX-B016 (Hemispheric, 180° x 160°)	<b>MX-p25-D016</b>	<b>MX-p25-N016</b>
Ultra Wide Lens MX-B036 (103° x 77°)	<b>MX-p25-D036</b>	<b>MX-p25-N036</b>
Super Wide Lens MX-B041 (90° x 67°)	<b>MX-p25-D041</b>	only with MX-p25-BOD1-N
Wide Lens MX-B061 (60° x 45°)	<b>MX-p25-D061</b>	only with MX-p25-BOD1-N
Standard Lens MX-B079 (45° x 34°)	<b>MX-p25-D079</b>	only with MX-p25-BOD1-N
Tele Lens MX-B119 (31° x 23°)	<b>MX-p25-D119</b>	only with MX-p25-BOD1-N
Distant Tele Lens MX-B237 (15° x 11°)	<b>MX-p25-D237</b>	only with MX-p25-BOD1-N
Super Tele Lens MX-B500 (8° x 6°)	–	–
CS-Vario Lens MX-B045-100-CS (39°-89° x 29°-65°)	–	–
Image sensor with individual exposure zones	Color	B/W
Sensor sensitivity in lux at 1/60 s / 1 s	0,1/0,005	0,02/0,0001
Image sensor resolution (color or B/W sensor)	6MP (3072 x 2048)	6MP (3072 x 2048)
<b>Hardware Functions</b>		
Protection class	IP20	IP20
Temperature range 0 to 40°C/32 to 104°F	•	•
Temporary internal DVR	64 MB	64 MB
Internal DVR, ex works	4 GB (microSD)	4 GB (microSD)
Microphone/speaker	optional (p25 with audio package)	optional (p25 with audio package)
Passive infrared sensor (PIR)	–	–
Integrated temperature sensor	•	•
Shock detector	•	•
Power consumption (typical)	4 watts	4 watts
Variable PoE class (factory default: 3)	2 or 3	2 or 3
<b>Image Formats, Frame Rates, Image Storage</b>		
Maximum image format (per sensor)	6MP (3072 x 2048)	6MP (3072 x 2048)
Maximum frame rate (MxPEG, max. resolution)	8 fps (6MP)	8 fps (6MP)
CIF images with 4 GB MicroSD DVR	250,000	250,000
VGA images with 4 GB MicroSD DVR	125,000	125,000
HD images with 4 GB MicroSD DVR	40,000	40,000
QXGA images with 4 GB MicroSD DVR	20,000	20,000

- available ex works
- not available



# p25 – Technical Specifications

Security-Vision-Systems **MOBOTIX**

Camera Variants	p25 Day	p25 Night
<b>General Functions</b>		
Digital zoom (continuous) with panning	•	•
Codecs: Motion-JPEG/MxPEG/H.264 for SIP	•/•/•	•/•/•
Programmable exposure zones	•	•
Snapshot recording (pre/post-alarm images)	50	50
Terabyte ring buffer storage (internal/network)	•	•
Continuous recording with sound (0.2 to 30 fps)	•	•
Event recording with sound	•	•
Time and event control/flexible event logic	•/•	•/•
Weekly schedules/holidays	•	•
Web functionality (FTP, email)	•	•
Playback/QuadView and MultiView	•/•	•/•
Bidirectional sound in browser (p25 with audio package)	•	•
Logo generator, animated	•	•
Master/Slave arming	•	•
Privacy zones (time-controlled)	•	•
Customized voice messages (p25 with audio package)	•	•
VoIP telephony (audio/video, alert – (p25 with audio package)	•	•
Remote alarm notification (network message)	•	•
Signal inputs/outputs and MxBus via	MX-Bus-IO-Module	MX-Bus-IO-Module
Programming interface (HTTP API)	•	•
Security Features (HTTPS/S/L, IP-based access control, IEEE 802.1X network authentication)	•	•
<b>Video Analysis</b>		
Video Motion	•	•
MxAnalytics	•	•
MxActivitySensor	•	•
<b>Video Management Software</b>		
MxManagementCenter/MxControlCenter/MxEasy	•/•/•	•/•/•
MOBOTIX App (iOS)	•	•

## p25 Standard Delivery



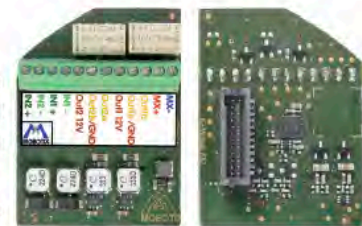
Item	Count	Part Name
1.1	1	Housing with spring clips and tiltable camera receptacle (installed)
1.2	1	Back cover (installed)
1.3	1	Main board with lens mount (installed)
1.4	1	Lens (only installed in camera models listed in «Variants of the p25»)
1.5	1	Blind cover (only when self-mounting the lens with MX-p25-BOD1)
1.6	1	Ethernet patch cable, 50 cm/19.7 in, black (installed)
1.7	1	MicroSD card pre-installed (SDHC montiert, SDXC supported)
1.8	1	Flat-head screwdriver, blue
1.9	1	Lens wrench red (only with MX-p25-BOD1 and lenses D036 to D237)
1.10	1	Allen wrench 1.5 mm

(Standard delivery from the technical documentation: [www.mobotix.com](http://www.mobotix.com) > Support > Manuals)

## Installing the MX-Bus-IO-Module

For the p25, you can use the optionally available MX-Bus-IO-Module to attach MxBus devices (e.g., an MX-GPS-Box), to attach external sensors using the signal inputs and to switch other devices via the signal outputs. To facilitate the installation of the module, you should attach the connection wires before inserting the module.

Follow the instructions in section «Removing/Installing the Back Cover» to access the inside of the camera and to close it again after inserting the module.



### 1. Attach the connection cables

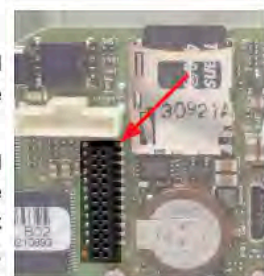
Attach the connection cables as shown in the terminal connector overview.

Terminal Connectors				
	MxBus connections	MxBus		
		Relay pot.-free		Outputs
<b>MX- Out1 A</b>	Output 1 A		-	
<b>MX+ Out1 B /GND</b>	Output 1 B/GND		Output 1 12 V self-powered	
<b>Out1 12V</b>	Output 1 12 V	-		
<b>Out2 A</b>	Output 2 A		-	
<b>Out2 B/GND</b>	Output 2 B/GND		Output 2 12 V self-powered	
<b>Out2 12V</b>	Output 2 12 V	-		
<b>IN1 -</b>	Output 1-	Inputs		
<b>IN1 +</b>	Output 1 +			
<b>IN2 -</b>	Output 2 -			
<b>IN2 +</b>	Output 2 +			

### 2. Insert the MX-Bus-IO-Module

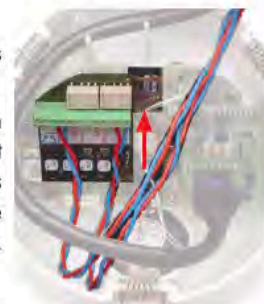
Hold the MX-Bus-IO-Module with attached connection wires over the receptacle on the main board (red arrow in figure).

Use one finger to carefully press the board of the module onto the receptacle. Make sure that the green terminal connector block is pointing upward (towards the SD card, see red arrow in figure below).



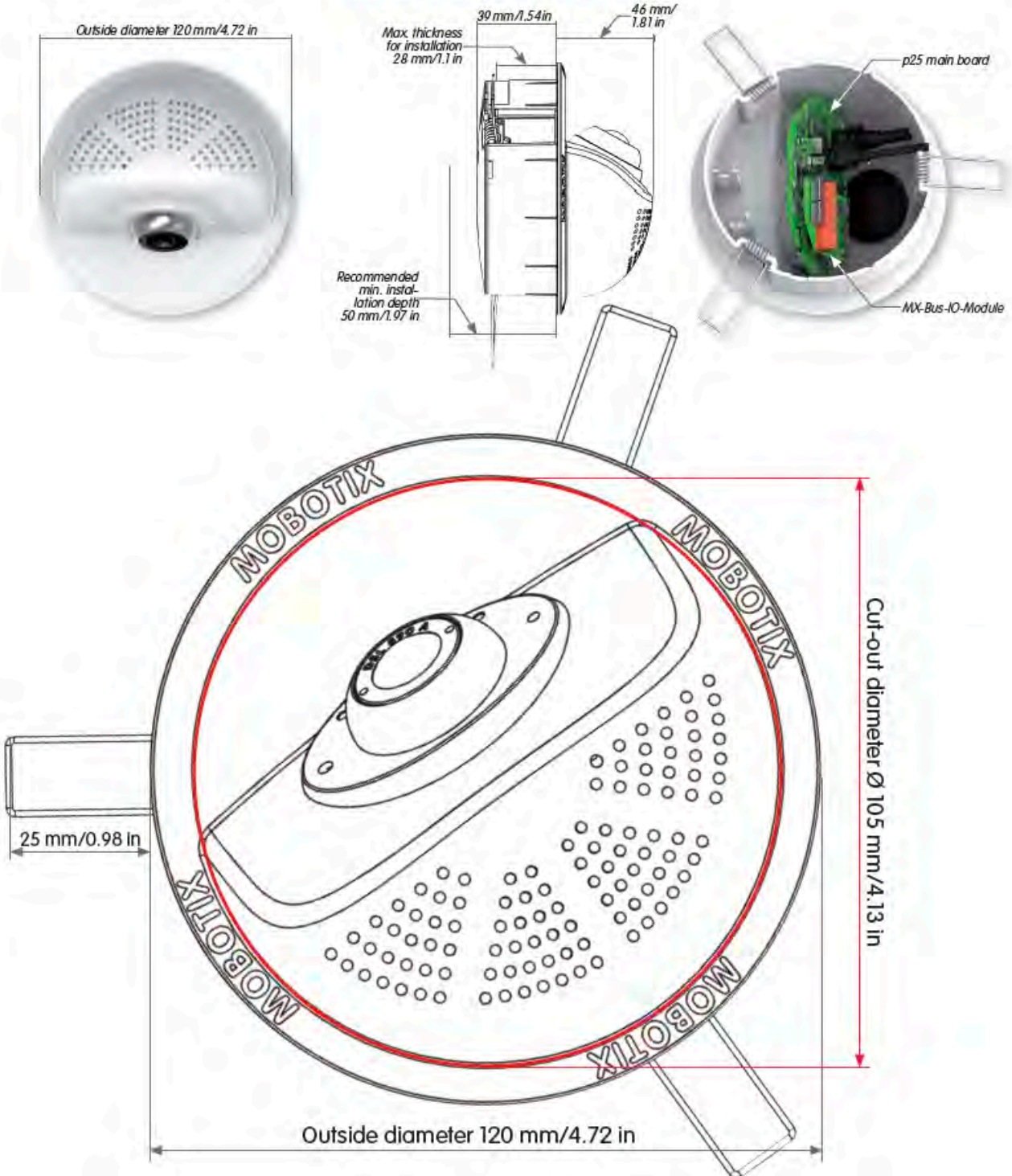
Make sure that the MX-Bus-IO-Module is fully inserted.

Please also make sure that the connection wires are guided through the housing without tension and in a loop so that the cables do not lift the module out of its receptacle when adjusting the camera tilt (see figure).



(Excerpt from the technical documentation: [www.mobotix.com](http://www.mobotix.com) > Support > Manuals)

## Dimensions/Drilling Template



(Excerpt from the technical documentation [www.mobotix.com](http://www.mobotix.com) > Support > Manuals)