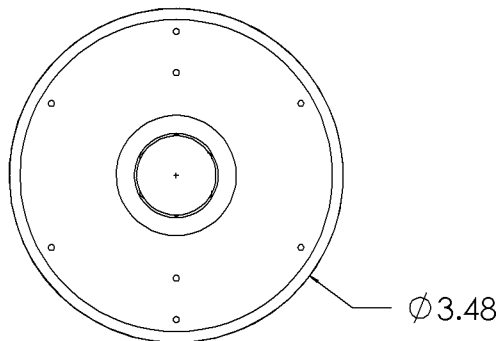
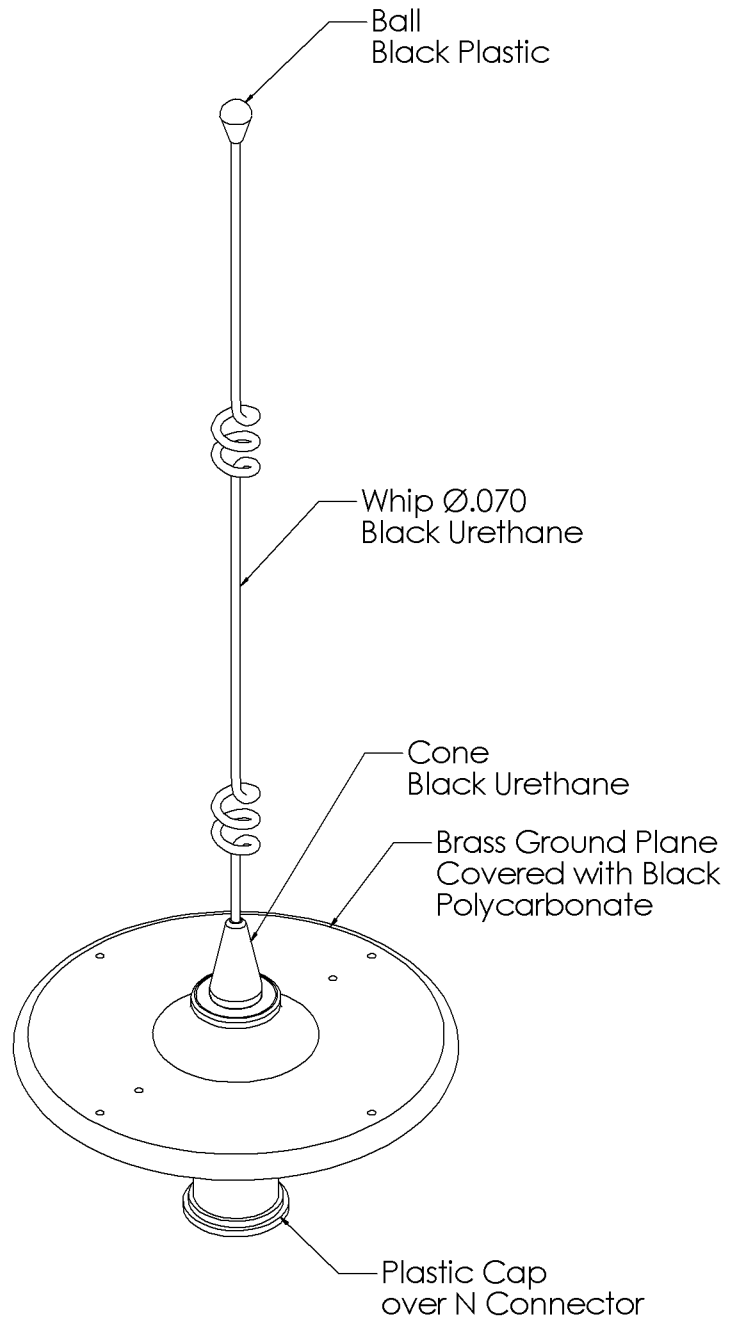
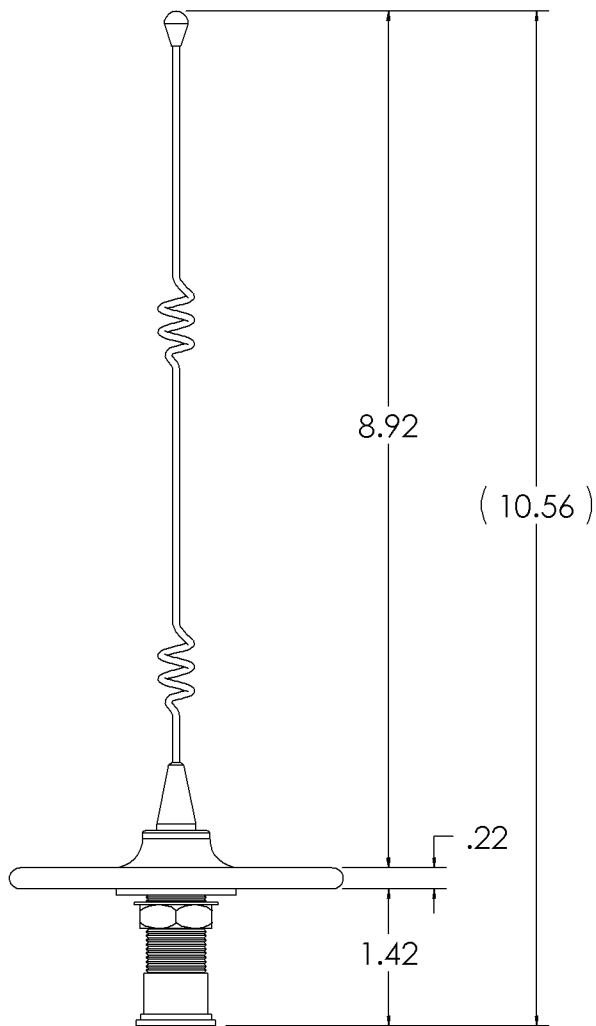


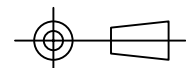
HIGH GAIN OMNI BASE ANTENNA 2.4-2.485GHz
WITH ATTACHED GROUND PLANE

FB45T2400WA

Series : Antenna



Unless otherwise specified all tolerances are ± 0.060
 All dimensions are in inches



Issue : 03 19

In the effort to improve our products, we reserve the right to make changes judged to be necessary.

**HIGH GAIN OMNI BASE ANTENNA 2.4-2.485GHz
WITH ATTACHED GROUND PLANE**

FB45T2400WA

Series : Antenna

ELECTRICAL CHARACTERISTICS

Frequency : **2.4-2.485 GHz**
 Nominal Impedance : **50 Ω**
 VSWR : **2:1 Max**
 Peak Gain (in the horizontal plane) : . **6.5 dBi ± .5 dB**

Radiation Pattern

Horizontal Plane : **Omni-directional**
 Vertical Plane : **Dipolar**

Polarization : **Linear Vertical**

Power withstanding : **100 W**

Connector type : **N Female**

MECHANICAL CHARACTERISTICS

Color : **Black**
 Ingress Protection : **UV Protected High
Impact Polypropylene
PPH 6331 NW**
 Weight (antenna): **160 g**
 Wind-loading : **100 mph**
 Overall length (antenna) : **10.56 x φ3.48 inches**
 Fixing system : *
 Elevation adjustment **Mast mounted system**

HIGH GAIN OMNI BASE ANTENNA 2.4-2.485GHz

FB45T2400WA

WITH ATTACHED GROUND PLANE

Series : Antenna

CURVES

User Hold Position (deg from horizon): 0
 Elevation Angle (deg): 0
 Frequency (Ghz): 2.450

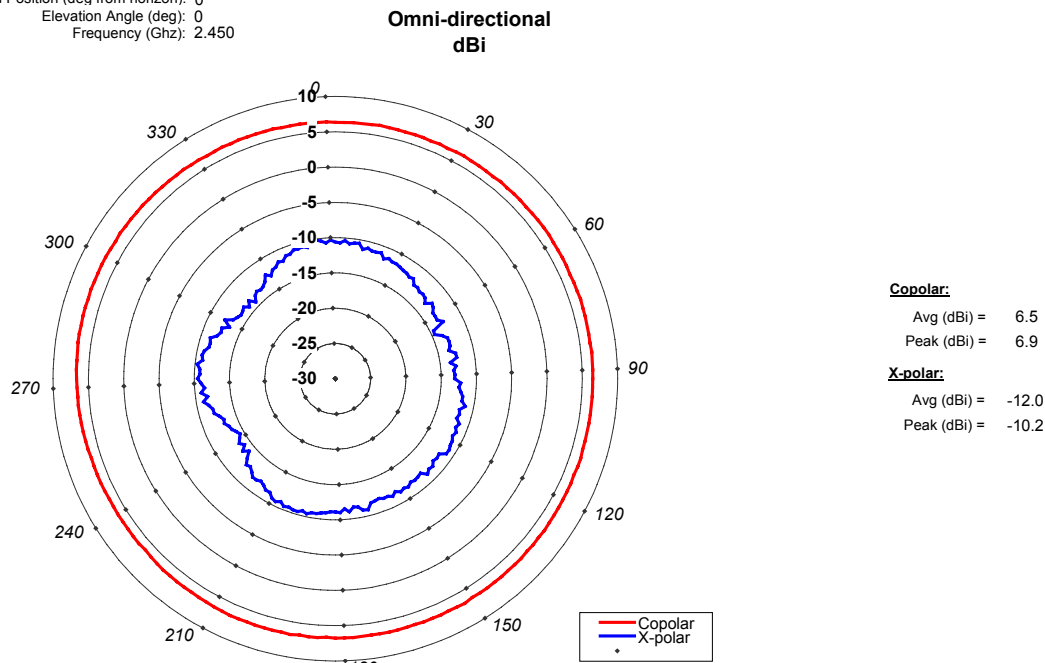


Figure 1: Horizontal plane Radiation pattern @ 2.45 GHz

User Hold Position (deg from horizon): 0
 Elevation Angle (deg): 0
 Frequency (Ghz): 2.450

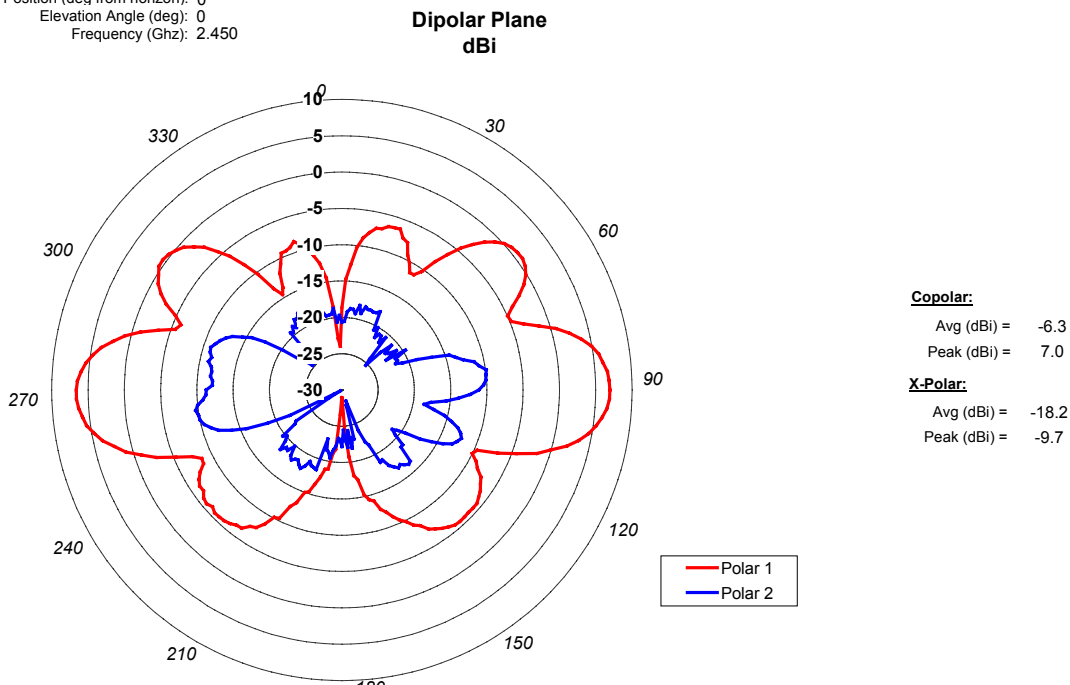


Figure 2: Vertical plane Radiation pattern @ 2.45 GHz

Issue : 03 19

In the effort to improve our products, we reserve the right to make changes judged to be necessary.

HIGH GAIN OMNI BASE ANTENNA 2.4-2.485GHz
WITH ATTACHED GROUND PLANE

FB45T2400WA

Series : Antenna

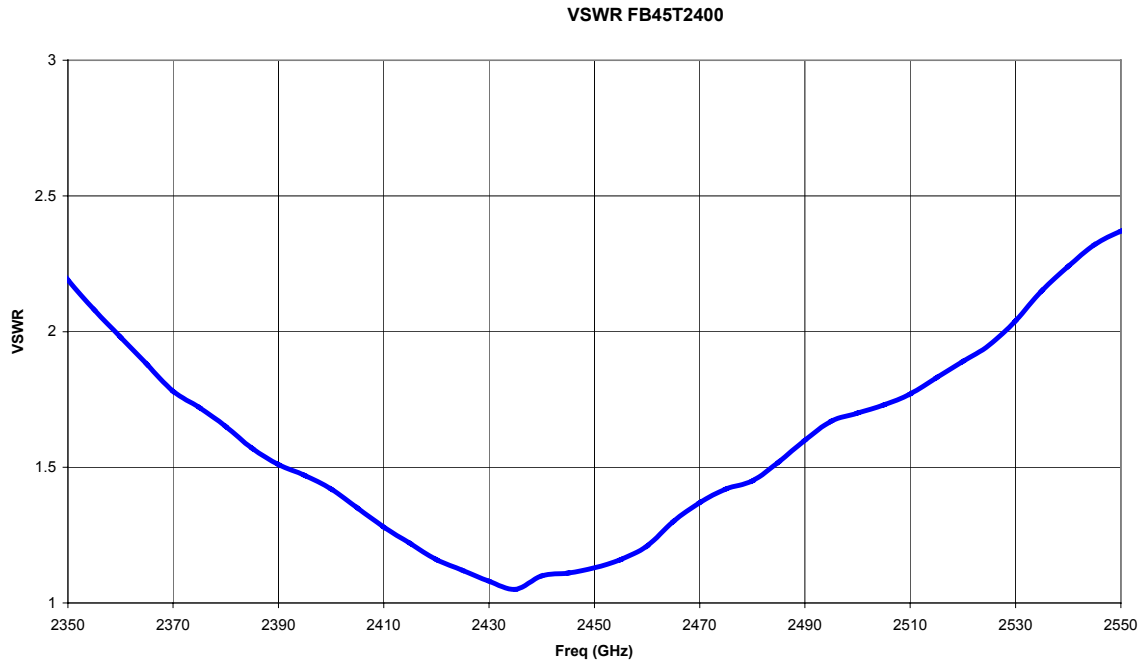


Figure 3: VSWR

Issue : 03 19

In the effort to improve our products, we reserve the right to make changes judged to be necessary.