

# CA27/24

## Mounting instructions



This mounting instruction applies to antenna type CA27/24 (14 dBi)

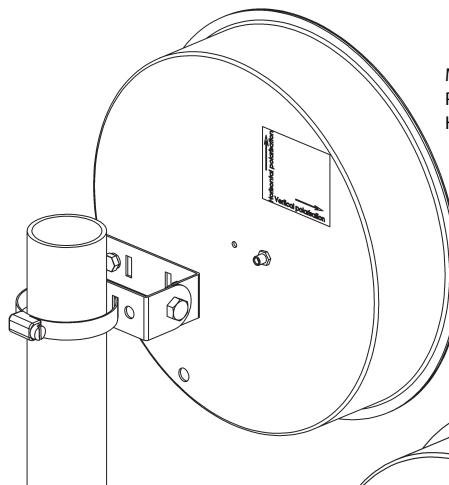
Choose the proper polarisation, see label on the rear of the antenna. It is important that the arrow points upwards so that the drainage holes is at the bottom of the antenna. Normally, vertical polarisation is used for access networks and often horizontal polarisation for links.

The antenna can be mounted in two positions depending on whether adjustment is desired in elevation or azimuth. When mounted on a tube (stainless hose clamp for 35-50 mm tube is included) the mount is normally mounted for elevation adjustment. When mounted on a wall (screw not included) the mount is often mounted for adjustment in azimuth.

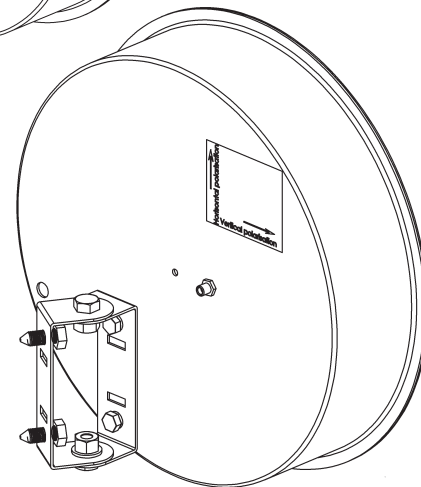
**Weather proofing** The type SMA connector is weather proofed with the supplied heat shrink tubing with meltglue. Use a hot air gun to apply the shrink tubing.

**Surge protection** The antenna is DC grounded and hence no extra surge protection is required. Mount the antenna on a grounded tube or mast if available.

**WLAN Design Tools** On our home page you can use WLAN Design Tools, a set of online-tools to optimise your link or network; use LinkBudget to calculate two-way link budget, AccessPointConfigurator(APC) to choose the best antenna for base stations and PolPlot to study the radiation pattern of the antennas.



Mounting on tube using hoseclamp.  
Possible to adjust elevation.  
Horizontal polarisation.



Mounting on wall using screw.  
Possible to adjust azimuth.  
Horizontal polarisation.

**SMARTEQ™**  
WIRELESS TELECOM

SMARTEQ Wireless AB  
Enebyberg, Sweden  
info@smarteq.se  
www.smarteq.com

