



# HUBER+SUHNER® SENCITY® OPTIMA ANTENNA FOR WIRELESS COMMUNICATION



## SWA 1864/360/6/30/V

### Technical Data

#### Electrical Properties

Frequency range (MHz)	1710 – 2900	2900 – 3500	3500 – 4500	4500 – 6400
Impedance	50 Ω			
VSWR	2	1.5	1.7	1.3
Polarization	linear, vertical			
Gain <sup>1</sup>	5.0 dBi <sup>1</sup>	7.0 dBi	7.5 dBi	7.5 dBi
3 dB beamwidth horizontal	360°			
PIM: GSM 1800, PCS, GSM 1900, UMTS, CDMA 2000, 2.3 - 2.7 GHz, 3.4 - 3.8 GHz	145 dBc at 2 x +30 dBm			
Grounding	radiator grounded for remote connectivity surveillance			
Max. power	10 W (CW) at 25°C			

<sup>1</sup> When mounted on a 0.25 m<sup>2</sup> ground plane

#### Mechanical & Environmental Properties

Dimensions	Ø 139.2 x 33.1 mm (Ø 5.48" x 1.30") excl. connector
Weight	0.23 kg (0.51 lbs.)
Radome material	ABS UL94V-0
Radome colour	RAL 9010 (white)
Back/base plane material	aluminium
2002/95/EC (RoHS)	compliant
Operating temperature range	0°C to + 55°C
Storage temperature range	- 40°C to + 80°C
Environmental Classification	This antenna is designed for indoor use

#### Available Types

Available Types	Article no.	
1399.17.0116	84048174	N female
1399.26.0048	84048175	TNC female

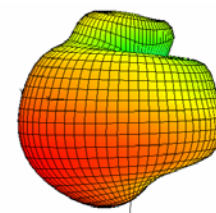
#### Mounting Hardware

Mounting Hardware	Article no.	
9091.99.0096	84024380	downtilt bracket

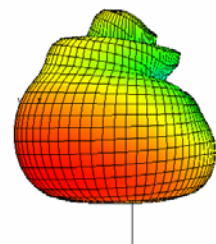
3 plastic screws for false ceiling mounting included in the antenna shipment.  
Thickness of false ceiling to be ≤ 30 mm.

#### Documents

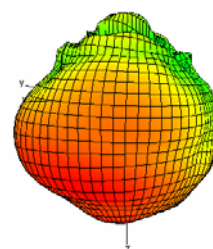
Documents	
01.02.0777	security instruction
DOC-0000239894	mounting instruction



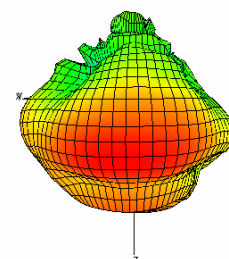
GSM 1800 / PCS / UMTS



WLAN & WiMAX 2.5 GHz



WiMAX 3.6 GHz



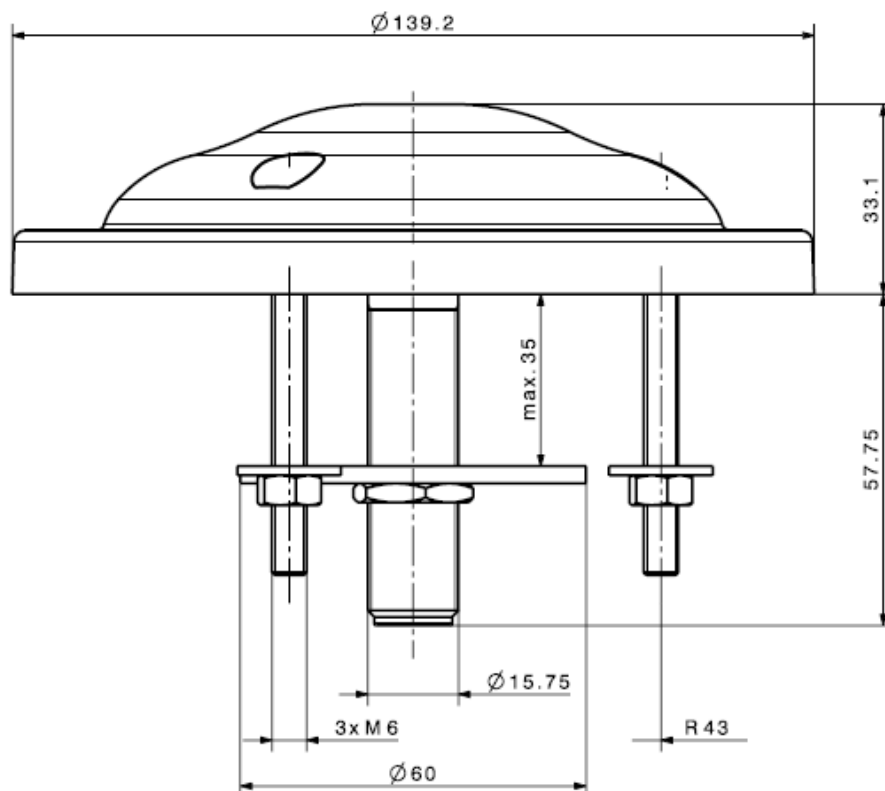
WLAN 5 GHz  
Page 1/2



# HUBER+SUHNER® SENCITY® OPTIMA ANTENNA FOR WIRELESS COMMUNICATION

**SWA 1864/360/6/30/V**

Dimensions (mm)



HUBER+SUHNER is certified according to ISO 9001 and ISO 14001

**WAIVER!**

It is exclusively in written agreements that we provide our customers with warrants and representations as to the technical contained specifications and/or the fitness for any particular purpose. The facts and figures herein are carefully compiled to the best of our knowledge, but they are intended for general informational purposes only.

**HUBER+SUHNER – Excellence in Connectivity Solutions**

Document no.: 01.02.1315  
Issue no.: 14  
Supersedes: 02.2007

**Uncontrolled Copy**

Issued/Checked/Released: 4159/4656/01.2006  
Last amended: 4253/01.2008



**HUBER+SUHNER AG**  
**RF Technology**  
**9100 Herisau, Switzerland**  
Phone +41 (0)71 353 41 11  
Fax +41 (0)71 353 47 51  
[www.hubersuhner.com](http://www.hubersuhner.com)