



HUBER+SUHNER®

SENCITY® AVANT ANTENNA

FOR LIGHT-RAIL WIRELESS COMMUNICATION

SWA 0860/360/4/0/V



Multiband: TDMA, D-AMPS, GSM 900, GSM 1800, GSM/PCS 1900, UMTS, 2.4, 3.5, 4.9 Public Safety, 5.3 & 5.8 GHz Bands

Technical Data

Electrical Properties Multiband Antenna

Frequency range (MHz)	806 - 824	824 - 960	1710 - 2170	2400 - 2700	3400 - 3700	4900 - 5925
Impedance	50 Ω					
VSWR	< 1.9	< 1.6	< 1.8	< 1.5	< 1.5	< 1.6
Polarization	linear, vertical					
Gain (using a 1 m ² ground plane)	6 dBi	6 dBi	8.5 dBi	9.5 dBi	9.5 dBi	8.5 dBi
Max. power	400 W (CW) at 50°C					

Mechanical & Environmental Properties

Dimensions	250 x 70 x 90 mm (9.84" x 2.76" x 3.54")
Weight	0.9 kg (1.98 lbs.)
Radome material	high impact acrylic styrene acrylonitrile (HRA150)
Radome colour	RAL 5011 (dark blue)
Back/base plane material	aluminium with polyurethane powder coating
Back/base plane colour	RAL 5011 (dark blue)
2002/95/EC (RoHS)	compliant
Operating temperature range	- 40°C to + 80°C
Storage temperature range	- 55°C to + 85°C

Meets the following requirements:

- Protected against the effects of continuous immersion in water IP68 (only if correctly installed).
- EN 50155, electronic equipment used on rolling stock.
- EN 50124-1, insulation coordination (27.5 KV AC and 3.8 KV DC).
- High voltage and high current protection according to Light Railway specifications (protection against short circuits of 10 KA).

Available Types	Article no.	
1399.17.0076	84015280	N female
1399.30.0002	84015291	QN female

Documents	
01.02.0777	security instruction
01.02.1167	mounting instruction (N)
01.02.1207	mounting instruction (QN)

Material: The antenna is designed according the military standard MIL-F-14072D, which guarantees a long-life without corrosion.

Mounting: On a conductive surface clear of paint and other contaminants.
To ensure a correct sealing between the antenna and the roof, the connector mounting hole dimensions have to be 17 ... 42 mm. The antenna has to be secured using four M6 screws.

Grounding and high voltage protection: All antenna parts are grounded to protect against lightning and catenary lines according to UIC 533.

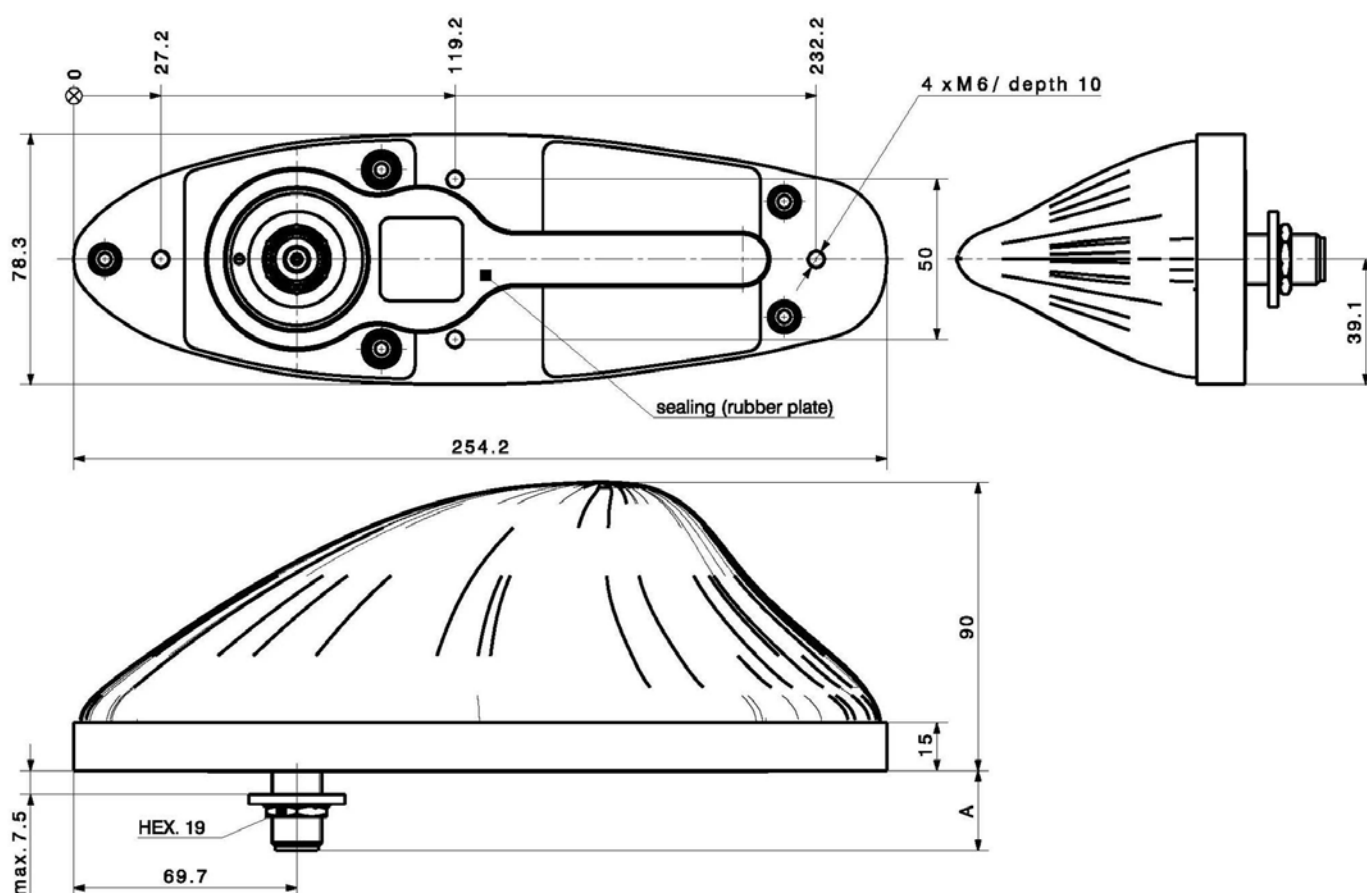


HUBER+SUHNER® SENCITY® AVANT ANTENNA FOR LIGHT-RAIL WIRELESS COMMUNICATION

SWA 0860/360/4/0/V

Dimensions (mm)

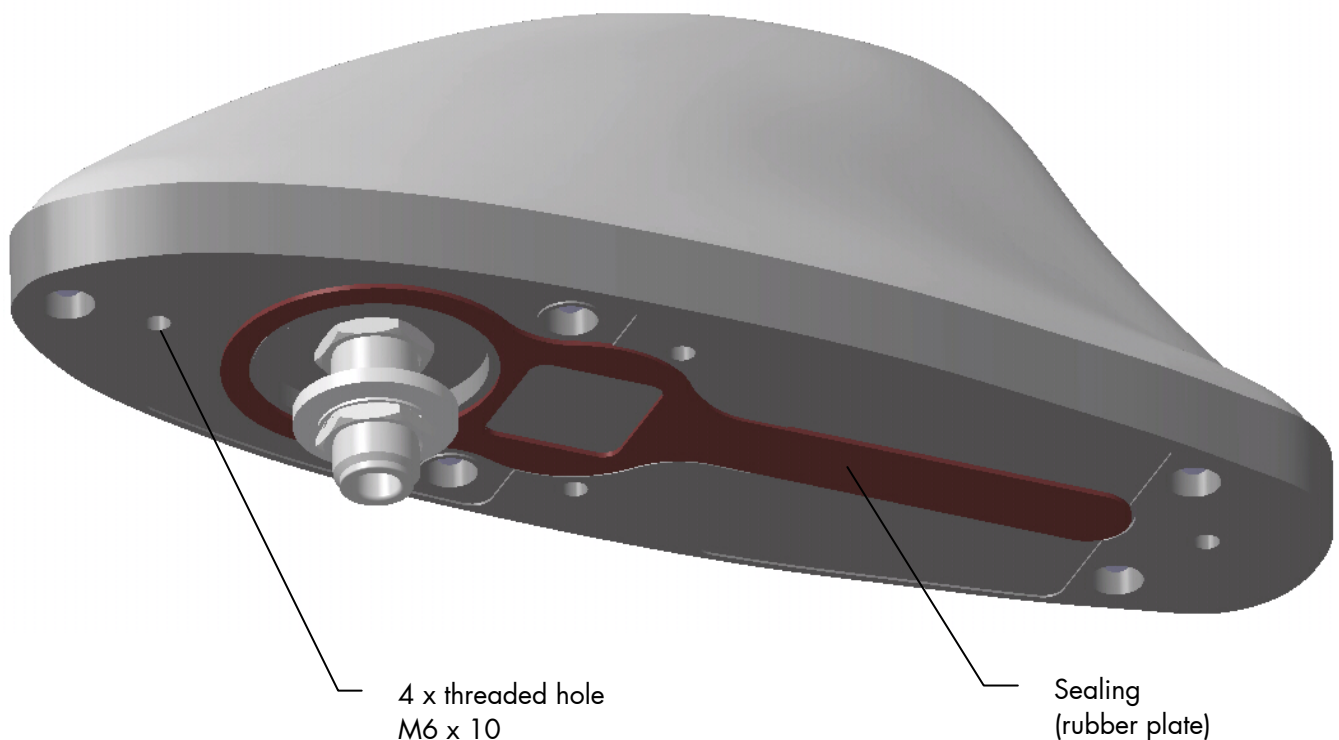
Connector type	A
N female	25
QN female	13.7





HUBER+SUHNER® SENCITY® AVANT ANTENNA FOR LIGHT-RAIL WIRELESS COMMUNICATION

SWA 0860/360/4/0/V



HUBER+SUHNER is certified according to ISO 9001 and ISO 14001

WAIVER!

It is exclusively in written agreements that we provide our customers with warrants and representations as to the technical contained specifications and/or the fitness for any particular purpose. The facts and figures herein are carefully compiled to the best of our knowledge, but they are intended for general informational purposes only.

HUBER+SUHNER – Excellence in Connectivity Solutions

Document no.: 01.02.1151
Issue no.: 13
Supersedes: 07.2006

Uncontrolled Copy

Issued/Checked/Released: 4159/4417/05.2005
Last amended: 4417/08.2006



HUBER+SUHNER AG

RF Technology

9100 Herisau, Switzerland

Phone +41 (0)71 353 41 11

Fax +41 (0)71 353 47 51

www.hubersuhner.com