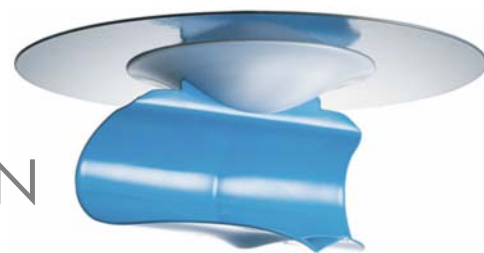




HUBER+SUHNER® SENCITY® ART ANTENNA FOR WIRELESS COMMUNICATION



SWA 0859/360/4/10/V

Technical Data

Electrical Properties

Frequency range (MHz)	806 - 960	1710 - 2170	2400 - 5875
Impedance	50 Ω		
VSWR	<1.5		
Polarization	linear, vertical		
Gain	5 dBi	6 dBi	7 dBi
3 dB beamwidth horizontal	360°		
Max. power	300 W (CW) at 50°C		

Mechanical & Environmental Properties

Dimensions	Ø 200 x 100 mm (Ø 7.87" x 3.94")
Weight	0.3 kg (0.66 lbs.)
Radiator material	brass with Polyurethane powder coating
Back/base plane material	aluminium with Polyurethane powder coating
2002/95/EC (RoHS)	compliant
Operating temperature range	- 40°C to + 80°C
Storage temperature range	- 40°C to + 80°C
Windload	18 N at 160 km/h (100 mph)

Available Types

Article no.	
1399.17.0037	23040329 N female (light blue PANTONE 277 C and grey RAL 7043)
1399.17.0055	84006023 N female (completely grey-white RAL 9018)
1399.26.0037	23040330 TNC female (light blue PANTONE 277 C and grey RAL 7043)
1399.30.0004	84016867 QN female (light blue PANTONE 277 C and grey RAL 7043)

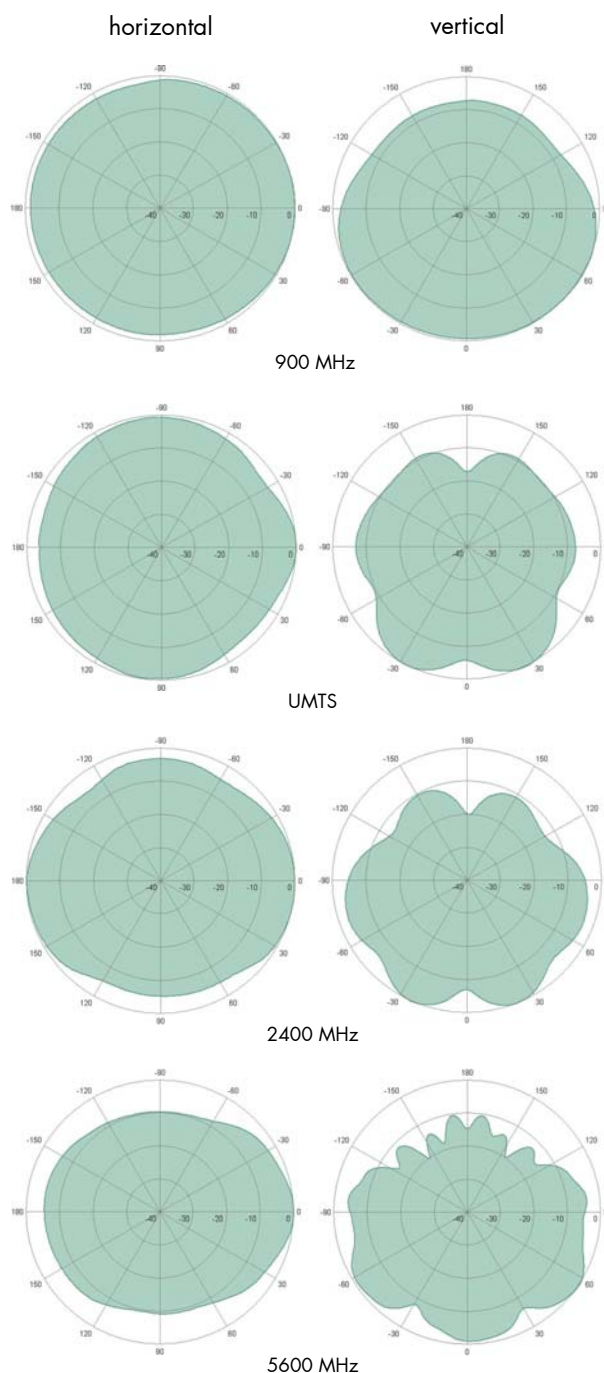
Mounting Hardware

Article no.	
9091.99.0095	84001045 optional (see mounting instruction)

Documents

01.02.0777	security instruction
01.02.0969	mounting instruction

Radiation Pattern



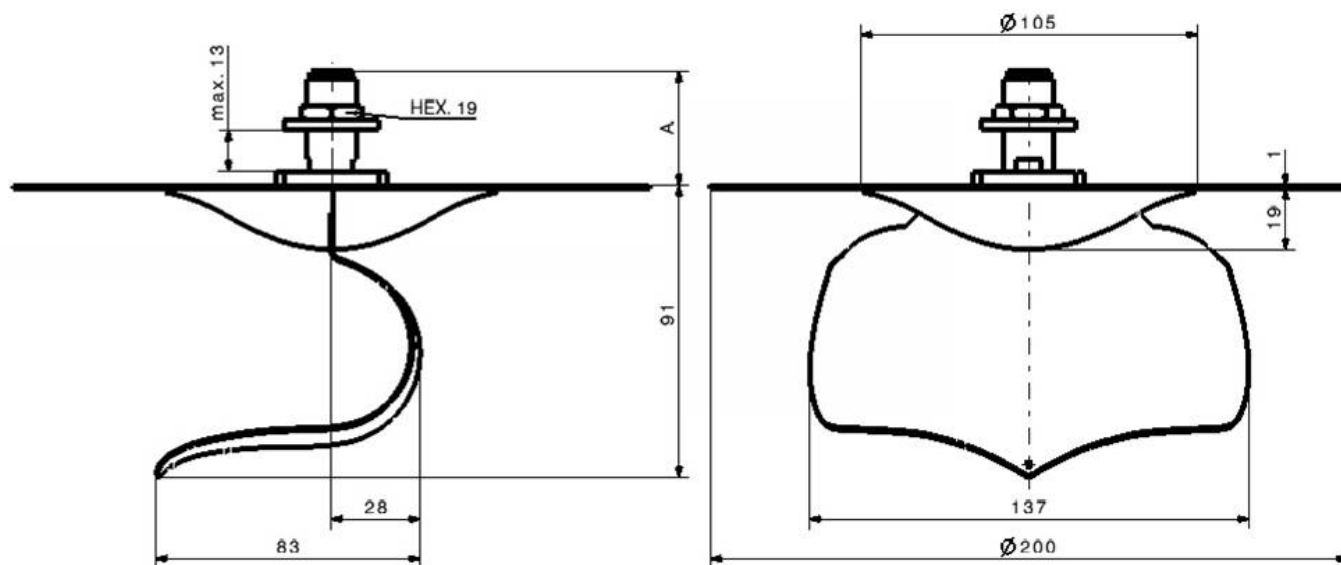


HUBER+SUHNER[®] SENCITY[®] ART ANTENNA FOR WIRELESS COMMUNICATION

SWA 0859/360/4/10/V

Dimensions (mm)

Connector type	A
N female	36
TNC female	36
QN female	40



HUBER+SUHNER is certified according to ISO 9001 and ISO 14001

WAIVER!

It is exclusively in written agreements that we provide our customers with warrants and representations as to the technical contained specifications and/or the fitness for any particular purpose. The facts and figures herein are carefully compiled to the best of our knowledge, but they are intended for general informational purposes only.

HUBER+SUHNER – Excellence in Connectivity Solutions

Document no.: 01.02.0949
Issue no.: 11
Supersedes: 09.2005

Uncontrolled Copy

Issued/Checked/Released: 4159/4253/03.2003
Last amended: 4417/07.2006



HUBER+SUHNER AG
RF Technology
9100 Herisau, Switzerland
Phone +41 (0)71 353 41 11
Fax +41 (0)71 353 47 51
www.hubersuhner.com