



HUBER+SUHNER® SENCITY® ANTENNA FOR WIRELESS COMMUNICATION



SWA 2459/360/7/20/V_2

Technical Data

Electrical Properties

Frequency range [MHz]	2400 - 2500	2500 - 2700	3400 - 3700	4900 - 5470	5470 - 5935
Impedance	50 Ω				
VSWR	1.8	2	2	1.8	1.8
Polarization	linear, vertical				
Gain (using a ø1 m ground plane)	6.0 dBi	6.0 dBi	7.0 dBi	8.0 dBi	8.0 dBi
3 dB beamwidth horizontal (without ø1 m ground plane)	360°	360°	360°	150°	170°
10 dB beamwidth horizontal	360°				
Max. power	75 W (CW) at 25°C				

Mechanical & Environmental Properties

Dimensions	Ø 86 x 50.6 mm (Ø 3.39" x 1.99")
Weight	0.3 kg (0.66 lbs.)
Radome material	high impact acrylic styrene acrylonitrile (HRA150)
Radome colour	RAL 7043 (dark grey)
Back/base plane material	aluminium
2002/95/EC (RoHS)	compliant
Operating temperature range	- 40°C to + 80°C
Storage temperature range	- 40°C to + 80°C
Windload	10 N at 160 km/h (100 mph)

Meets the following requirements:

- Protected against the effects of continuous immersion in water IP68 (only if correctly installed).
- EN 50155, electronic equipment used on rolling stock.

Available Types	Article no.	
1399.17.0108	84040934	N female (connector length = 45.4mm)
1399.17.0111	84043908	N female (connector length = 25.4mm)

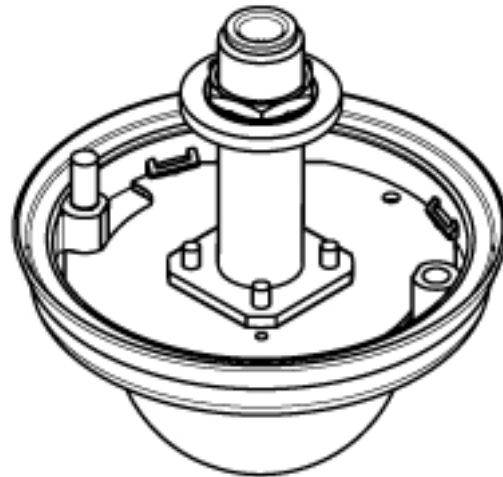
Documents	
01.02.0777	security instruction
Doc.N°. DOC-0000254463	mounting instruction (1399.17.0108)
Doc.N°. DOC-0000256121	mounting instruction (1399.17.0111)



HUBER+SUHNER® SENCITY® ANTENNA FOR WIRELESS COMMUNICATION

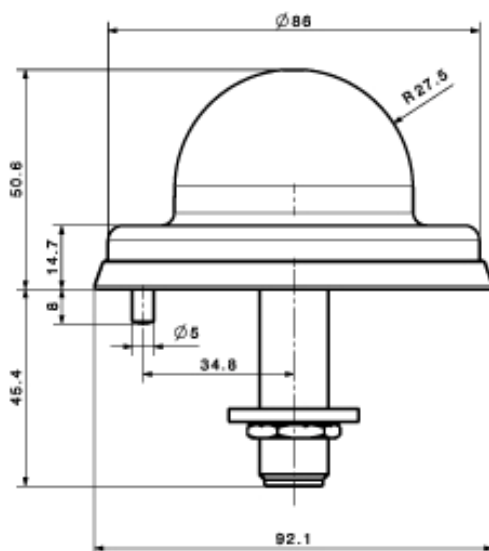
SWA 2459/360/7/20/V_2

Dimensions (mm)



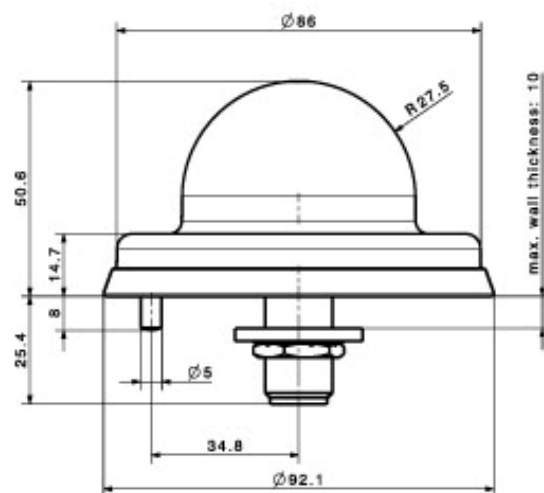
Antenna type

1399.17.0108



Antenna type

1399.17.0111



HUBER+SUHNER is certified according to ISO 9001 and ISO 14001

WAIVER!

It is exclusively in written agreements that we provide our customers with warrants and representations as to the technical contained specifications and/or the fitness for any particular purpose. The facts and figures herein are carefully compiled to the best of our knowledge, but they are intended for general informational purposes only.

HUBER+SUHNER – Excellence in Connectivity Solutions

Document no.: 01.02.1440

Issue no.: 6

Supersedes: 06.2008

Uncontrolled Copy

Issued/Checked/Released: 4417/4253/06.2007

Last amended:



HUBER+SUHNER AG

RF Technology

9100 Herisau, Switzerland

Phone +41 (0)71 353 41 11

Fax +41 (0)71 353 47 51

www.hubersuhner.com